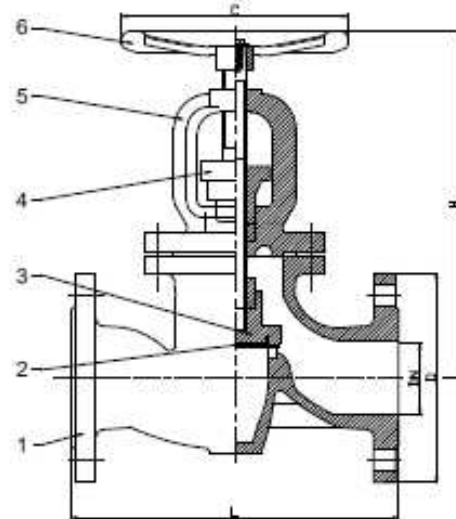


GLOBE VALVE DIN 3202-F1



◆ Dimensions

DN	15	20	25	32	40	50	65	80	100	125	150	200	250	300
L	130	150	160	180	200	230	290	310	350	400	480	600	730	850
H	165	180	195	205	235	250	285	335	370	435	475	555	650	695
C	100	100	120	120	160	200	200	240	240	280	280	400	520	520
D(PN10)	95	105	115	140	150	165	185	200	220	250	285	340	395	445
D(PN16)	95	105	115	140	150	165	185	200	220	250	285	340	405	460

◆ Test

Working pressure	PN10	PN16
Test pressure Shell	15bars	24bars
Seat	11bars	17.6bars

◆ Material of Structure

1 Body	Cast iron or Ductile iron
2 Seat	Brass/stainless steel
3 Disc	Cast iron or Ductile iron
4 Stem	stainless steel
5 Bonnet	Cast iron or Ductile iron
6 Hand wheel	Cast iron or Ductile iron

◆ Application

- 1 Face to face is according to DIN3202-F1
- 2 Flange drilled is according to DIN2532/2533
- 3 Normal Pressure PN 10/PN 16



• LOT N°10 CITE EL HAMIZ 04 DAR EL BEIDA ALGER

• E-MAIL: ALFA.ACCESSOIRES@GMAIL.COM

• TEL: 021 87 75 30 • FAX: 021 87 75 32 • MOB: 0550 48 45 31